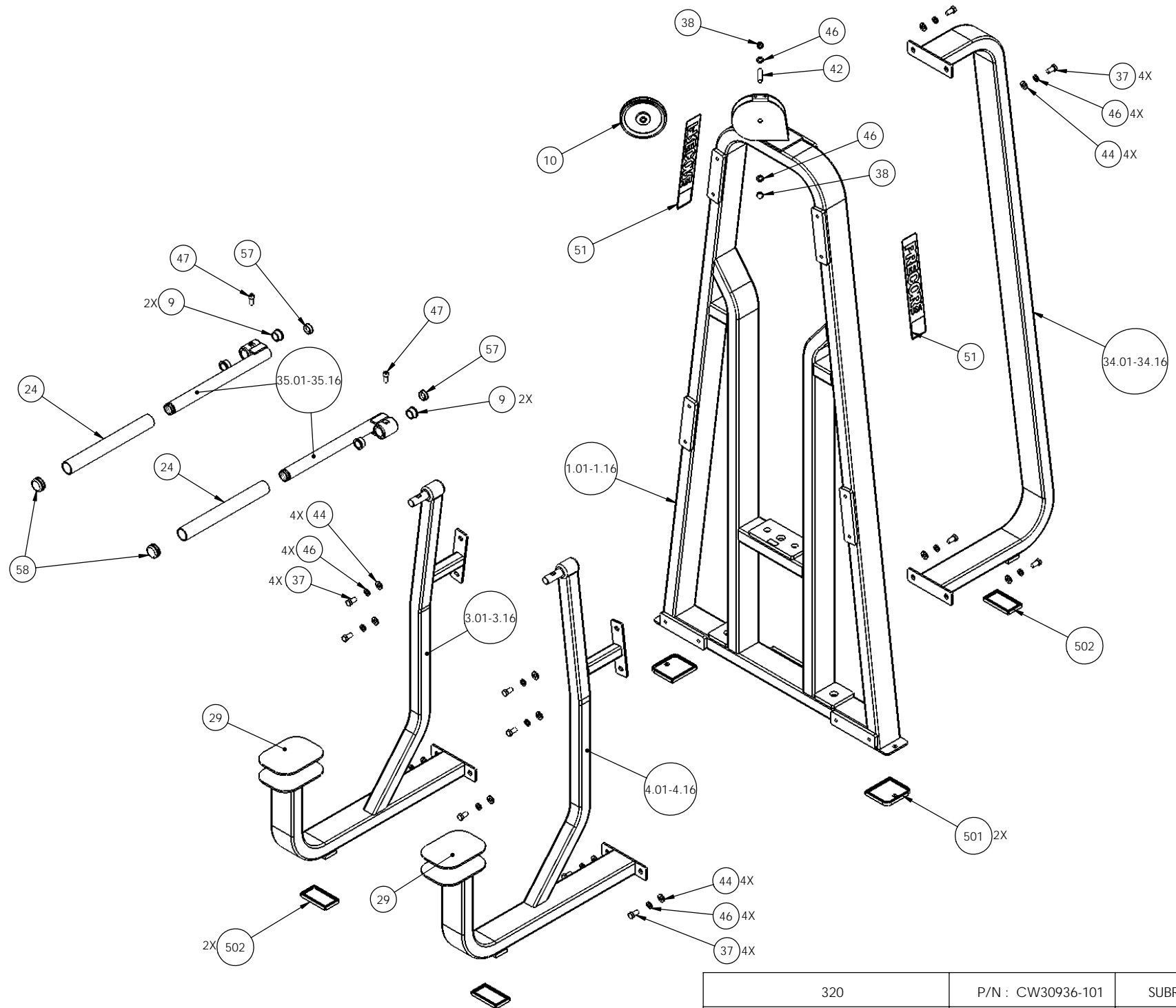
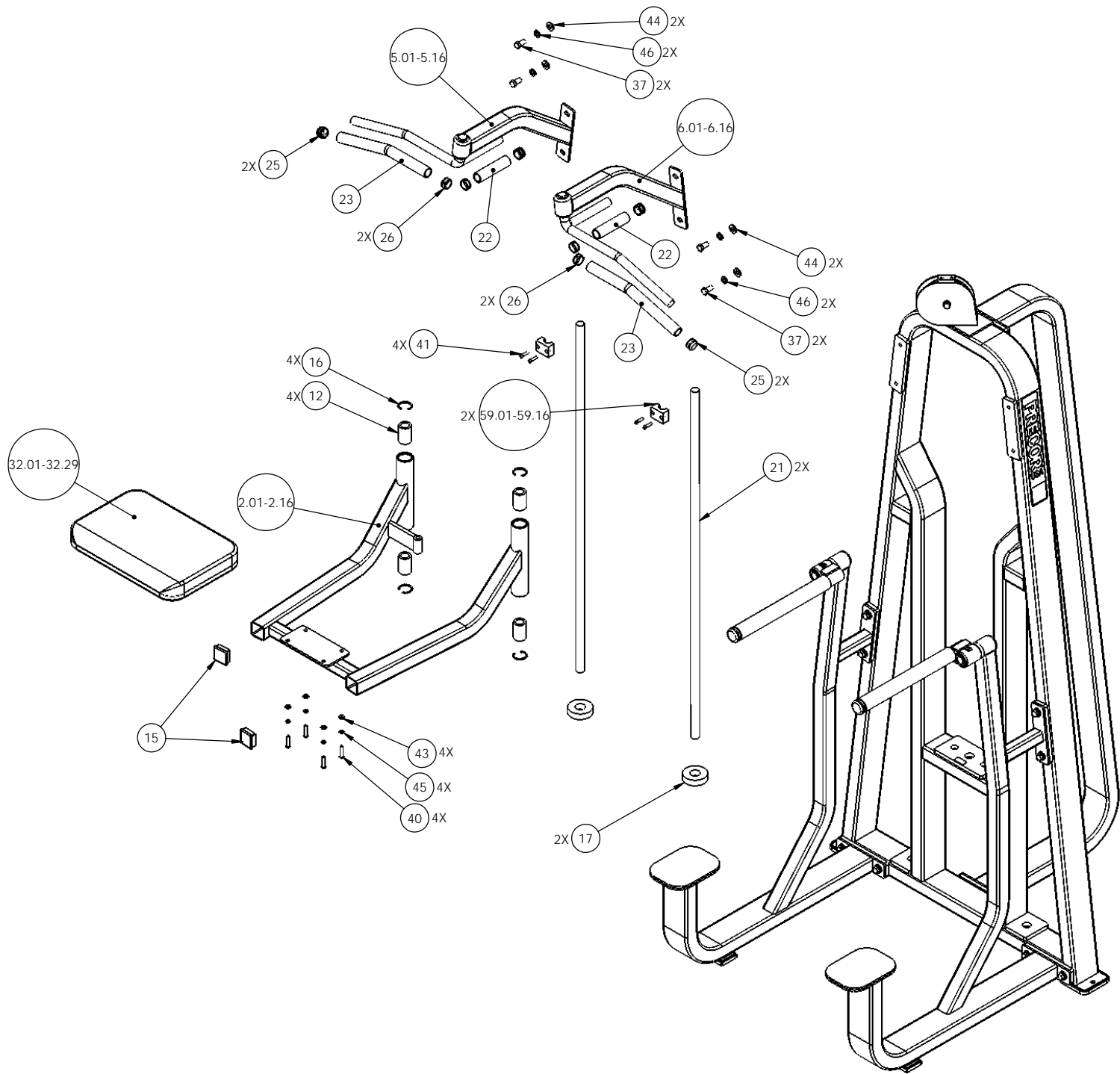


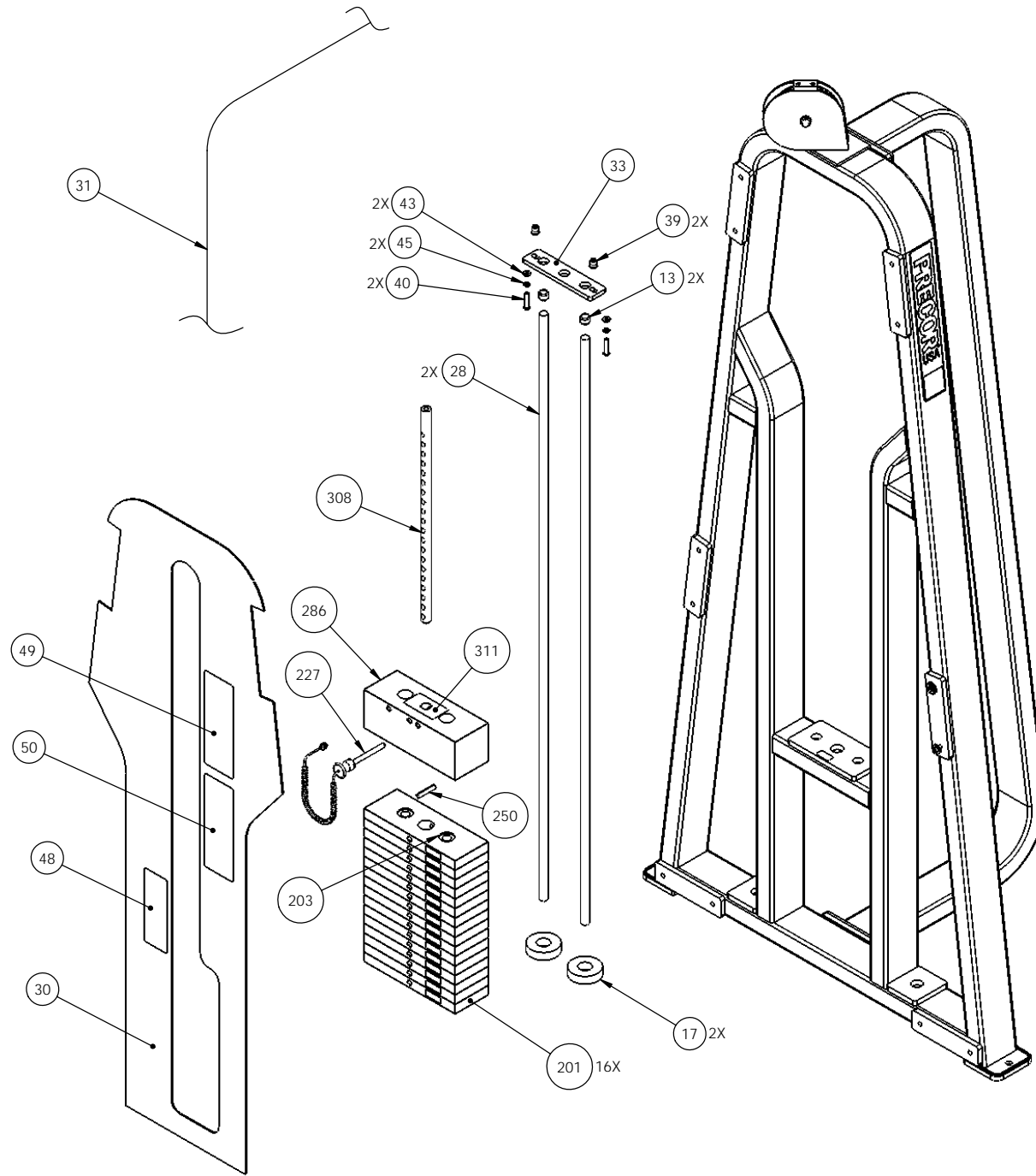
320	P/N : CW30936-101	SUBREV : B
DRAWN BY : CT	DATE : 10.22.05	SHEET 1 OF 4



320	P/N : CW30936-101	SUBREV : B
DRAWN BY : CT	DATE : 10.22.05	SHEET 2 OF 4



320	P/N : CW30936-101	SUBREV : B
DRAWN BY : CT	DATE : 10.22.05	SHEET 3 OF 4



320	P/N : CW30936-101	SUBREV : B
DRAWN BY : CT	DATE : 10.22.05	SHEET 4 OF 4

320 Dip Chin Assist

Part Number	Description	Bubble Number
CW320SA1-211	ASSY,FRAME,MAIN,320,SKY WHITE	1.01
CW320SA1-221	ASSY,FRAME,MAIN,320,BLACK	1.02
CW320SA1-231	ASSY,FRAME,MAIN,320,RED	1.03
CW320SA1-241	ASSY,FRAME,MAIN,320,PLATINUM SPRKLE	1.04
CW320SA1-251	ASSY,FRAME,MAIN,320,SILVER	1.05
CW320SA1-261	ASSY,FRAME,MAIN,320,BLUE	1.06
CW320SA1-271	ASSY,FRAME,MAIN,320,CHARCOAL	1.07
CW320SA1-281	ASSY,FRAME,MAIN,320,CATHEDRAL GRAY	1.08
CW320SA1-291	ASSY,FRAME,MAIN,320,SILVER VIEN	1.09
CW320SA1-311	ASSY,FRAME,MAIN,320,STONE HG	1.11
CW320SA1-321	ASSY,FRAME,MAIN,320,TITANIUM HG	1.12
CW320SA1-331	ASSY,FRAME,MAIN,320,WHITE GLOSS	1.13
CW320SA1-341	ASSY,FRAME,MAIN,320,BLACK ONYX	1.14
CW320SA1-351	ASSY,FRAME,MAIN,320,LIGHT BRONZE	1.15
CW320SA1-361	ASSY,FRAME,MAIN,320,SAPPHIRE BLUE	1.16
CW320SA2-211	ASSY, CARRIAGE, 320,SKY WHITE	2.01
CW320SA2-221	ASSY, CARRIAGE, 320,BLACK	2.02
CW320SA2-231	ASSY, CARRIAGE, 320,RED	2.03
CW320SA2-241	ASSY, CARRIAGE, 320,PLAT SPKLE	2.04
CW320SA2-251	ASSY, CARRIAGE, 320,SILVER	2.05
CW320SA2-261	ASSY, CARRIAGE, 320,BLUE	2.06
CW320SA2-271	ASSY, CARRIAGE, 320,CHARCOAL	2.07
CW320SA2-281	ASSY, CARRIAGE, 320,CATH GRY	2.08
CW320SA2-291	ASSY, CARRIAGE, 320,SILVER VIEN	2.09
CW320SA2-311	ASSY, CARRIAGE, 320, STONE HG	2.11
CW320SA2-321	ASSY, CARRIAGE, 320,TITANIUM HG	2.12
CW320SA2-331	ASSY, CARRIAGE, 320, WHITE GLOSS	2.13
CW320SA2-341	ASSY, CARRIAGE, 320,BLACK ONYX	2.14
CW320SA2-351	ASSY, CARRIAGE, 320, LIGHT BRONZE	2.15
CW320SA2-361	ASSY, CARRIAGE, 320, SAPPHIRE BLUE	2.16
CW320SA3L-211	ASSY,FRAME,LEFT STEP,320,SKY WHITE	3.01
CW320SA3L-221	ASSY,FRAME,LEFT STEP,320,BLACK	3.02
CW320SA3L-231	ASSY,FRAME,LEFT STEP,320,RED	3.03
CW320SA3L-241	ASSY,FRAME,LEFT STEP,320,PLAT SPRKL	3.04
CW320SA3L-251	ASSY,FRAME,LEFT STEP,320,SILVER	3.05
CW320SA3L-261	ASSY,FRAME,LEFT STEP,320,BLUE	3.06
CW320SA3L-271	ASSY,FRAME,LEFT STEP,320,CHARCOAL	3.07
CW320SA3L-281	ASSY,FRAME,LEFT STEP,320,CATH GRAY	3.08
CW320SA3L-291	ASSY,FRAME,LEFT STEP,320,SILVR VIEN	3.09
CW320SA3L-311	ASSY,FRAME,LEFT STEP,320,STONE HG	3.11
CW320SA3L-321	ASSY,FRAME,LT STEP,320,TITANIUM HG	3.12
CW320SA3L-331	ASSY,FRAME,LEFT STEP,320,WHTE GLOSS	3.13
CW320SA3L-341	ASSY,FRAME,LEFT STEP,320,BLACK ONYX	3.14
CW320SA3L-351	ASSY,FRAME,LEFT STEP,320,LT. BRONZE	3.15
CW320SA3L-361	ASSY,FRAME,LEFT STEP,320,SAPPHRE BL	3.16
CW320SA3R-211	ASSY,FRAME,RIGHT STEP,320,SKY WHITE	4.01
CW320SA3R-221	ASSY,FRAME,RIGHT STEP,320,BLACK	4.02
CW320SA3R-231	ASSY,FRAME,RIGHT STEP,320,RED	4.03
CW320SA3R-241	ASSY,FRAME,RIGHT STEP,320,PLAT SPRK	4.04

CW320SA3R-251	ASSY,FRAME,RIGHT STEP,320,SILVER	4.05
CW320SA3R-261	ASSY,FRAME,RIGHT STEP,320,BLUE	4.06
CW320SA3R-271	ASSY,FRAME,RIGHT STEP,320,CHARCOAL	4.07
CW320SA3R-281	ASSY,FRAME,RIGHT STEP,320,CATH GRAY	4.08
CW320SA3R-291	ASSY,FRAME,RIGHT STEP,320,SILVR VIE	4.09
CW320SA3R-311	ASSY,FRAME,RIGHT STEP,320,STONE HG	4.11
CW320SA3R-321	ASSY,FRAME,RIGHT STEP,320,TITANIUM	4.12
CW320SA3R-331	ASSY,FRAME,RIGHT STEP,320,WHITE GLOS	4.13
CW320SA3R-341	ASSY,FRAME,RIGHT STEP,320,BLACK ONY	4.14
CW320SA3R-351	ASSY,FRAME,RIGHT STEP,320,LT. BRONZ	4.15
CW320SA3R-361	ASSY,FRAME,RIGHT STEP,320,SAPPHRE B	4.16
CW320SA4L-211	ASSY,ARM, LEFT, 320,SKY WHITE	5.01
CW320SA4L-221	ASSY,ARM, LEFT, 320,BLACK	5.02
CW320SA4L-231	ASSY,ARM, LEFT, 320,RED	5.03
CW320SA4L-241	ASSY,ARM, LEFT, 320,PLAT SPKLE	5.04
CW320SA4L-251	ASSY,ARM, LEFT, 320,SILVER	5.05
CW320SA4L-261	ASSY,ARM, LEFT, 320,BLUE	5.06
CW320SA4L-271	ASSY,ARM, LEFT, 320,CHARCOAL	5.07
CW320SA4L-281	ASSY,ARM, LEFT, 320,CATH GRY	5.08
CW320SA4L-291	ASSY,ARM, LEFT, 320,SILVER VIEN	5.09
CW320SA4L-311	ASSY,ARM, LEFT, 320, STONE HG	5.11
CW320SA4L-321	ASSY,ARM, LEFT, 320,TITANIUM HG	5.12
CW320SA4L-331	ASSY,ARM, LEFT, 320, WHITE GLOSS	5.13
CW320SA4L-341	ASSY,ARM, LEFT, 320, BLACK ONYX	5.14
CW320SA4L-351	ASSY,ARM, LEFT, 320, LIGHT BRONZE	5.15
CW320SA4L-361	ASSY,ARM, LEFT, 320, SAPPHIRE BLUE	5.16
CW320SA4R-211	ASSY,ARM, RIGHT, 320,SKY WHITE	6.01
CW320SA4R-221	ASSY,ARM, RIGHT, 320,BLACK	6.02
CW320SA4R-231	ASSY,ARM, RIGHT, 320,RED	6.03
CW320SA4R-241	ASSY,ARM, RIGHT, 320,PLAT SPKLE	6.04
CW320SA4R-251	ASSY,ARM, RIGHT, 320,SILVER	6.05
CW320SA4R-261	ASSY,ARM, RIGHT, 320,BLUE	6.06
CW320SA4R-271	ASSY,ARM, RIGHT, 320,CHARCOAL	6.07
CW320SA4R-281	ASSY,ARM, RIGHT, 320,CATH GRY	6.08
CW320SA4R-291	ASSY,ARM, RIGHT, 320,SILVER VIEN	6.09
CW320SA4R-311	ASSY,ARM, RIGHT, 320,STONE HG	6.11
CW320SA4R-321	ASSY,ARM, RIGHT, 320,TITANIUM HG	6.12
CW320SA4R-331	ASSY,ARM, RIGHT, 320,WHITE GLOSS	6.13
CW320SA4R-341	ASSY,ARM, RIGHT, 320,BLACK ONYX	6.14
CW320SA4R-351	ASSY,ARM, RIGHT, 320,LIGHT BRONZE	6.15
CW320SA4R-361	ASSY,ARM, RIGHT, 320,SAPPHIRE BLUE	6.16
CW10043-134	BUSHING, BRONZE, 1" ID X 1 1/4" OD	9
CWAC1010-101	PULLEY, 6 DIA X 1/2 ID	10
CW12571-101	LINEAR BEARING, CLOSED TYPE, 1.000/	12
CW12404-101	CAP, GUIDE ROD,DIA 3/4, BLK	13
CW11311-103	ENDCAP, REC TUBE, 2X2, BLK PLASTIC	15
CWACHN125-006	SNAP RING RETAINER,(SUPER 16)	16
CW12402-101	BUMPER, WEIGHT STACK, BLK RUBBER	17
CWPF3503-901	GUIDE ROD,STEEL,OD .995 X 50.38, CA	21
CWGR2605-000	GRIP,RUBBER, 1" DIA, 5"	22
CWGR2615-000	GRIP,RUBBER, 1" DIA, 15"	23

CWGR4315-000	GRIP,RUBBER, DIA 1-1/2, (15")	24
CWAC218-901	HANDLE END CAP W/SET SCREWS, DIA 1"	25
CWAC219-901	HNDL RETAINER RNG, W/SS,1.020" I.D.	26
CWPF1552-711	GUIDE ROD, STEEL, DIA 3/4 X (61 1/8	28
CW30013-112	CUT PIECE, CREPE, 1/4 X 6 X 8	29
CWCP1152-101	CUT PIECE, ABS BLACK, 1/8 X 23 5/16	30
CWCLGG099-000	ASSY, CABLE, 320	31
CWPD1137J-101	PAD,12X18,4HOLES,W/BP,BLACK,W/SLIP	32.01
CWPD1137J-103	PAD,12X18,4HOLES,W/BP,DVE GRY,W/SLI	32.03
CWPD1137J-104	PAD,12X18,4HOLES,W/BP,CROCUS,W/SLIP	32.04
CWPD1137J-105	PAD,12X18,4HOLES,W/BP,GROTTO,W/SLIP	32.05
CWPD1137J-106	PAD,12X18,4HOLES,W/BP,GRAPHITE,W/SL	32.06
CWPD1137J-107	PAD,12X18,4HOLES,W/BP,RED,W/SLIP	32.07
CWPD1137J-108	PAD,12X18,4HOLES,W/BP,CHN GRN,W/SLI	32.08
CWPD1137J-109	PAD,12X18,4HOLES,W/BP,TURQSE,W/SLIP	32.09
CWPD1137J-110	PAD,12X18,4HOLES,W/BP,RASP,W/SLIP	32.1
CWPD1137J-111	PAD,12X18,4HOLES,W/BP,PLUM,W/SLIP	32.11
CWPD1137J-112	PAD,12X18,4HOLES,W/BP,REGIMENT,W/SL	32.12
CWPD1137J-113	PAD,12X18,4HOLES,W/BP,SPC BLUE,W/SL	32.13
CWPD1137J-115	PAD,12X18,4HOLES,W/BP,BLK LTHR,W/SL	32.15
CWPD1137J-116	PAD,12X18,4HOLES,W/BP,NVBL LTH,W/SL	32.16
CWPD1137J-117	PAD,12X18,4HOLES,W/BP,PUTTY,W/SLIP	32.17
CWPD1137J-119	PAD,12X18,4HOLES,W/BP,YEW GRN,W/SLI	32.19
CWPD1137J-120	PAD,12X18,4HOLES,W/BP,DSTY JD,W/SLI	32.2
CWPD1137J-121	PAD,12X18,4HOLES,W/BP,TER COT,W/SLI	32.21
CWPD1137J-122	PAD,12X18,4HOLES,W/BP,PAPRIKA.W/SLI	32.22
CWPD1137J-123	PAD,12X18,4HOLES,W/BP,ASH LTHR,W/SL	32.23
CWPD1137J-124	PAD,12X18,4HOLES,W/BP,CERULEAN LTHR	32.24
CWPD1137J-125	PAD,12X18,4HOLES,W/BP,CHARCOAL LTHR	32.25
CWPD1137J-126	PAD,12X18,4HOLES,W/BP,HUNTER LTHR,W	32.26
CWPD1137J-127	PAD,12X18,4HOLES,W/BP,MOSS LTHR,W/S	32.27
CWPD1137J-129	PAD,12X18,4HOLES,W/BP,TOMATO LTHR,W	32.29
CWPF1016-731	BAR,,FLAT CR/HR, 3/8 X 2 X 8 1/4, 3	33
CWSA10781-211	ASSY,FLANGED "C" FRAME,W/O BRKTS, S	34.01
CWSA10781-221	ASSY,FLANGED "C" FRAME,W/O BRKTS, B	34.02
CWSA10781-231	ASSY,FLANGED "C" FRAME,W/O BRKTS, R	34.03
CWSA10781-241	ASSY,FLANGED "C" FRAME,W/O BRKTS, P	34.04
CWSA10781-251	ASSY,FLANGED "C" FRAME,W/O BRKTS, S	34.05
CWSA10781-261	ASSY,FLANGED "C" FRAME,W/O BRKTS, B	34.06
CWSA10781-271	ASSY,FLANGED "C" FRAME,W/O BRKTS, C	34.07
CWSA10781-281	ASSY,FLANGED "C" FRAME,W/O BRKTS, C	34.08
CWSA10781-291	ASSY,FLANGED "C" FRAME,W/O BRKTS, S	34.09
CWSA10781-311	ASSY,FLANGED "C" FRAME,W/O BRKTS	34.11
CWSA10781-321	ASSY,FLANGED "C" FRAME,W/O BRKTS, T	34.12
CWSA10781-331	ASSY,FLANGED "C" FRAME,W/O BRKTS, W	34.13
CWSA10781-341	ASSY,FLANGED "C" FRAME,W/O BRKTS, B	34.14
CWSA10781-351	ASSY,FLANGED "C" FRAME,W/O BRKTS, L	34.15
CWSA10781-361	ASSY,FLANGED "C" FRAME,W/O BRKTS, S	34.16
CWSA1079-211	ASSY,PIVOTING,HANDLE,SKY WHITE	35.01
CWSA1079-221	ASSY,PIVOTING,HANDLE,BLACK	35.02
CWSA1079-231	ASSY,PIVOTING,HANDLE,RED	35.03

CWSA1079-241	ASSY,PIVOTING,HANDLE,PLAT SPKLE	35.04
CWSA1079-251	ASSY,PIVOTING,HANDLE,SILVER	35.05
CWSA1079-261	ASSY,PIVOTING,HANDLE,BLUE	35.06
CWSA1079-271	ASSY,PIVOTING,HANDLE,CHARCOAL	35.07
CWSA1079-281	ASSY,PIVOTING,HANDLE,CATH GRY	35.08
CWSA1079-291	ASSY,PIVOTING,HANDLE,SILVER VIEN	35.09
CWSA1079-311	ASSY,PIVOTING,HANDLE,STONE HG	35.11
CWSA1079-321	ASSY,PIVOTING,HANDLE,TITANIUM HG	35.12
CWSA1079-331	ASSY,PIVOTING,HANDLE,WHITE GLOSS	35.13
CWSA1079-351	ASSY,PIVOTING,HANDLE,LIGHT BRONZE	35.15
CWSA1079-361	ASSY,PIVOTING,HANDLE,SAPPHIRE BLUE	35.16
CW30104-200	WEIGHT STACK,200 LBS,LTP-40,16 X 10	36
CWHCYN050-100	SCREW,HEX HEAD,BLK XYLAN,1/2-13 X 1	37
CWKADLN050-081	NUT, ACORN, 1/2-13	38
CW12537-109	NUT,INSERT,THIN-NUT,LARGE FLANGE	39
CWTAYN031-150	SCREW, BUTTON HEAD, BLK XYLAN,5/16	40
CWCAYN025-100	SCREW, SOCKET HEAD, BLK XYLAN, 1/4	41
CWBFNN050-250	STUD, 1/2-13 X 2 1/2	42
CWWBKN031-007	WASHER, FLAT, TYPE A, SAE, 5/16 ID	43
CWWBKN050-010	WASHER, FLAT, TYPE A, SAE, 1/2 ID X	44
CWWALYN031-008	WASHER, SPLIT, 5/16 ID, BL	45
CWWALYN050-013	WASHER, SPLIT, 1/2 ID, BLK XYLAN	46
CWCAYN044-100	SCREW, SOCKET HEAD, BLK XYLAN, 7/1	47
CW30010-101	LABEL,WARNING STRENGTH	48
CW30034-101	LABEL,INSTRUCTION,320 CHIN	49
CW30035-101	LABEL,INSTRUCTION,320 DIP	50
CW31756-101	LABEL, PRECOR USA ICARIAN LINE	51
CW11095-105	CAP, PLASTIC, HEYCO, DOME PLUG, 1.2	57
CWAC242-901	HANDLE END CAP W/SET SCREWS, DIA 1	58
CWPF1472-311	SHAFT COLLAR,SQR BLOCK,1-1/2 X 1 X	59
CWPF1472-211	SHAFT COLLAR,SQR BLOCK,1-1/2 X 1 X	59.01
CWPF1472-221	SHAFT COLLAR, SQR BLOCK, 1-1/2 X 1	59.02
CWPF1472-231	SHAFT COLLAR, SQR BLOCK, 1-1/2 X 1	59.03
CWPF1472-241	SHAFT COLLAR, SQR BLOCK, 1-1/2 X 1	59.04
CWPF1472-251	SHAFT COLLAR, SQR BLOCK, 1-1/2 X 1	59.05
CWPF1472-261	SHAFT COLLAR, SQR BLOCK, 1-1/2 X 1	59.06
CWPF1472-271	SHAFT COLLAR, SQR BLOCK, 1-1/2 X 1	59.07
CWPF1472-281	SHAFT COLLAR, SQR BLOCK, 1-1/2 X 1	59.08
CWPF1472-291	SHAFT COLLAR, SQR BLOCK, 1-1/2 X 1	59.09
CWPF1472-321	SHAFT COLLAR, SQR BLOCK, 1-1/2 X 1	59.12
CWPF1472-331	SHAFT COLLAR, SQR BLOCK, 1-1/2 X 1	59.13
CWPF1472-341	SHAFT COLLAR, SQR BLOCK, 1-1/2 X 1	59.14
CWPF1472-351	SHAFT COLLAR, SQR BLOCK, 1-1/2 X 1	59.15
CWPF1472-361	SHAFT COLLAR, SQR BLOCK, 1-1/2 X 1	59.16
CW10510-721	ASSY, PLATE, WEIGHT, 10 LBS, WRKL B	201
CWAC1133-101	BUSHING, WEIGHT PLATE, LDPE PLASTIC	203
CW30172-751	ASSY, 4.00 IN WEIGHT STACK PIN AND	227
CWLDNN038-200	PIN, ROLL, DIA 3/8 X 2	250
CW10580-721	ASSY,PLATE, WEIGHT, LARGE TOP (LTP	286
CW30132-711	SELECTOR STEM, 20 PLATE,0 .875 DIA,	308
CW30011-101	LABEL,WARNING WEIGHT STACK	311

CW12401-102	LABEL, WEIGHT PLATE, 10 LBS/ 4.6 KG	315
CW12401-106	LABEL, WEIGHT PLATE, 20 LBS/ 8 KG	319
CW12401-110	LABEL, WEIGHT PLATE, 30 LBS/ 13.6 K	323
CW12401-114	LABEL, WEIGHT PLATE, 40 LBS/ 18.2 K	327
CW12401-118	LABEL, WEIGHT PLATE, 50 LBS/ 22.7 K	331
CW12401-120	LABEL, WEIGHT PLATE, 60 LBS/ 27.3 K	333
CW12401-122	LABEL, WEIGHT PLATE, 70 LBS/ 31.8 K	335
CW12401-124	LABEL, WEIGHT PLATE, 80 LBS/ 36.4 K	337
CW12401-126	LABEL, WEIGHT PLATE, 90 LBS/ 40.9 K	339
CW12401-128	LABEL, WEIGHT PLATE, 100 LBS/ 45.5	341
CW12401-129	LABEL, WEIGHT PLATE, 110 LBS/ 50 KG	342
CW12401-130	LABEL, WEIGHT PLATE, 120 LBS/ 54.6	343
CW12401-131	LABEL, WEIGHT PLATE, 130 LBS/ 59.1	344
CW12401-132	LABEL, WEIGHT PLATE, 140 LBS/ 63.6	345
CW12401-133	LABEL, WEIGHT PLATE, 150 LBS/ 68.2	346
CW12401-134	LABEL, WEIGHT PLATE, 160 LBS/ 72.7	347
CWAC1177-101	FLOOR PROTECTOR, RUBBER, 4.563 X 4.	501
CWAC1180-101	FLOOR PROTECTOR, RUBBER, 2.563 X 4.	502

320 Dip Chin Assist

Part Number	Description	Bubble Number
CW320SA1-211	ASSY,FRAME,MAIN,320,SKY WHITE	1.01
CW320SA1-221	ASSY,FRAME,MAIN,320,BLACK	1.02
CW320SA1-231	ASSY,FRAME,MAIN,320,RED	1.03
CW320SA1-241	ASSY,FRAME,MAIN,320,PLATINUM SPRKLE	1.04
CW320SA1-251	ASSY,FRAME,MAIN,320,SILVER	1.05
CW320SA1-261	ASSY,FRAME,MAIN,320,BLUE	1.06
CW320SA1-271	ASSY,FRAME,MAIN,320,CHARCOAL	1.07
CW320SA1-281	ASSY,FRAME,MAIN,320,CATHEDRAL GRAY	1.08
CW320SA1-291	ASSY,FRAME,MAIN,320,SILVER VIEN	1.09
CW320SA1-311	ASSY,FRAME,MAIN,320,STONE HG	1.11
CW320SA1-321	ASSY,FRAME,MAIN,320,TITANIUM HG	1.12
CW320SA1-331	ASSY,FRAME,MAIN,320,WHITE GLOSS	1.13
CW320SA1-341	ASSY,FRAME,MAIN,320,BLACK ONYX	1.14
CW320SA1-351	ASSY,FRAME,MAIN,320,LIGHT BRONZE	1.15
CW320SA1-361	ASSY,FRAME,MAIN,320,SAPPHIRE BLUE	1.16
CW320SA2-211	ASSY, CARRIAGE, 320,SKY WHITE	2.01
CW320SA2-221	ASSY, CARRIAGE, 320,BLACK	2.02
CW320SA2-231	ASSY, CARRIAGE, 320,RED	2.03
CW320SA2-241	ASSY, CARRIAGE, 320,PLAT SPKLE	2.04
CW320SA2-251	ASSY, CARRIAGE, 320,SILVER	2.05
CW320SA2-261	ASSY, CARRIAGE, 320,BLUE	2.06
CW320SA2-271	ASSY, CARRIAGE, 320,CHARCOAL	2.07
CW320SA2-281	ASSY, CARRIAGE, 320,CATH GRY	2.08
CW320SA2-291	ASSY, CARRIAGE, 320,SILVER VIEN	2.09
CW320SA2-311	ASSY, CARRIAGE, 320, STONE HG	2.11
CW320SA2-321	ASSY, CARRIAGE, 320,TITANIUM HG	2.12
CW320SA2-331	ASSY, CARRIAGE, 320, WHITE GLOSS	2.13
CW320SA2-341	ASSY, CARRIAGE, 320,BLACK ONYX	2.14
CW320SA2-351	ASSY, CARRIAGE, 320, LIGHT BRONZE	2.15
CW320SA2-361	ASSY, CARRIAGE, 320, SAPPHIRE BLUE	2.16
CW320SA3L-211	ASSY,FRAME,LEFT STEP,320,SKY WHITE	3.01
CW320SA3L-221	ASSY,FRAME,LEFT STEP,320,BLACK	3.02
CW320SA3L-231	ASSY,FRAME,LEFT STEP,320,RED	3.03
CW320SA3L-241	ASSY,FRAME,LEFT STEP,320,PLAT SPRKL	3.04
CW320SA3L-251	ASSY,FRAME,LEFT STEP,320,SILVER	3.05
CW320SA3L-261	ASSY,FRAME,LEFT STEP,320,BLUE	3.06
CW320SA3L-271	ASSY,FRAME,LEFT STEP,320,CHARCOAL	3.07
CW320SA3L-281	ASSY,FRAME,LEFT STEP,320,CATH GRAY	3.08
CW320SA3L-291	ASSY,FRAME,LEFT STEP,320,SILVR VIEN	3.09
CW320SA3L-311	ASSY,FRAME,LEFT STEP,320,STONE HG	3.11
CW320SA3L-321	ASSY,FRAME,LT STEP,320,TITANIUM HG	3.12
CW320SA3L-331	ASSY,FRAME,LEFT STEP,320,WHTE GLOSS	3.13
CW320SA3L-341	ASSY,FRAME,LEFT STEP,320,BLACK ONYX	3.14
CW320SA3L-351	ASSY,FRAME,LEFT STEP,320,LT. BRONZE	3.15
CW320SA3L-361	ASSY,FRAME,LEFT STEP,320,SAPPHRE BL	3.16
CW320SA3R-211	ASSY,FRAME,RIGHT STEP,320,SKY WHITE	4.01
CW320SA3R-221	ASSY,FRAME,RIGHT STEP,320,BLACK	4.02
CW320SA3R-231	ASSY,FRAME,RIGHT STEP,320,RED	4.03
CW320SA3R-241	ASSY,FRAME,RIGHT STEP,320,PLAT SPRK	4.04

CW320SA3R-251	ASSY,FRAME,RIGHT STEP,320,SILVER	4.05
CW320SA3R-261	ASSY,FRAME,RIGHT STEP,320,BLUE	4.06
CW320SA3R-271	ASSY,FRAME,RIGHT STEP,320,CHARCOAL	4.07
CW320SA3R-281	ASSY,FRAME,RIGHT STEP,320,CATH GRAY	4.08
CW320SA3R-291	ASSY,FRAME,RIGHT STEP,320,SILVR VIE	4.09
CW320SA3R-311	ASSY,FRAME,RIGHT STEP,320,STONE HG	4.11
CW320SA3R-321	ASSY,FRAME,RIGHT STEP,320,TITANIUM	4.12
CW320SA3R-331	ASSY,FRAME,RIGHT STEP,320,WHITE GLOS	4.13
CW320SA3R-341	ASSY,FRAME,RIGHT STEP,320,BLACK ONY	4.14
CW320SA3R-351	ASSY,FRAME,RIGHT STEP,320,LT. BRONZ	4.15
CW320SA3R-361	ASSY,FRAME,RIGHT STEP,320,SAPPHRE B	4.16
CW320SA4L-211	ASSY,ARM, LEFT, 320,SKY WHITE	5.01
CW320SA4L-221	ASSY,ARM, LEFT, 320,BLACK	5.02
CW320SA4L-231	ASSY,ARM, LEFT, 320,RED	5.03
CW320SA4L-241	ASSY,ARM, LEFT, 320,PLAT SPKLE	5.04
CW320SA4L-251	ASSY,ARM, LEFT, 320,SILVER	5.05
CW320SA4L-261	ASSY,ARM, LEFT, 320,BLUE	5.06
CW320SA4L-271	ASSY,ARM, LEFT, 320,CHARCOAL	5.07
CW320SA4L-281	ASSY,ARM, LEFT, 320,CATH GRY	5.08
CW320SA4L-291	ASSY,ARM, LEFT, 320,SILVER VIEN	5.09
CW320SA4L-311	ASSY,ARM, LEFT, 320, STONE HG	5.11
CW320SA4L-321	ASSY,ARM, LEFT, 320,TITANIUM HG	5.12
CW320SA4L-331	ASSY,ARM, LEFT, 320, WHITE GLOSS	5.13
CW320SA4L-341	ASSY,ARM, LEFT, 320, BLACK ONYX	5.14
CW320SA4L-351	ASSY,ARM, LEFT, 320, LIGHT BRONZE	5.15
CW320SA4L-361	ASSY,ARM, LEFT, 320, SAPPHIRE BLUE	5.16
CW320SA4R-211	ASSY,ARM, RIGHT, 320,SKY WHITE	6.01
CW320SA4R-221	ASSY,ARM, RIGHT, 320,BLACK	6.02
CW320SA4R-231	ASSY,ARM, RIGHT, 320,RED	6.03
CW320SA4R-241	ASSY,ARM, RIGHT, 320,PLAT SPKLE	6.04
CW320SA4R-251	ASSY,ARM, RIGHT, 320,SILVER	6.05
CW320SA4R-261	ASSY,ARM, RIGHT, 320,BLUE	6.06
CW320SA4R-271	ASSY,ARM, RIGHT, 320,CHARCOAL	6.07
CW320SA4R-281	ASSY,ARM, RIGHT, 320,CATH GRY	6.08
CW320SA4R-291	ASSY,ARM, RIGHT, 320,SILVER VIEN	6.09
CW320SA4R-311	ASSY,ARM, RIGHT, 320,STONE HG	6.11
CW320SA4R-321	ASSY,ARM, RIGHT, 320,TITANIUM HG	6.12
CW320SA4R-331	ASSY,ARM, RIGHT, 320,WHITE GLOSS	6.13
CW320SA4R-341	ASSY,ARM, RIGHT, 320,BLACK ONYX	6.14
CW320SA4R-351	ASSY,ARM, RIGHT, 320,LIGHT BRONZE	6.15
CW320SA4R-361	ASSY,ARM, RIGHT, 320,SAPPHIRE BLUE	6.16
CW10043-134	BUSHING, BRONZE, 1" ID X 1 1/4" OD	9
CWAC1010-101	PULLEY, 6 DIA X 1/2 ID	10
CW12571-101	LINEAR BEARING, CLOSED TYPE, 1.000/	12
CW12404-101	CAP, GUIDE ROD,DIA 3/4, BLK	13
CW11311-103	ENDCAP, REC TUBE, 2X2, BLK PLASTIC	15
CWACHN125-006	SNAP RING RETAINER,(SUPER 16)	16
CW12402-101	BUMPER, WEIGHT STACK, BLK RUBBER	17
CWPF3503-901	GUIDE ROD,STEEL,OD .995 X 50.38, CA	21
CWGR2605-000	GRIP,RUBBER, 1" DIA, 5"	22
CWGR2615-000	GRIP,RUBBER, 1" DIA, 15"	23

CWGR4315-000	GRIP,RUBBER, DIA 1-1/2, (15")	24
CWAC218-901	HANDLE END CAP W/SET SCREWS, DIA 1"	25
CWAC219-901	HNDL RETAINER RNG, W/SS,1.020" I.D.	26
CWPF1552-711	GUIDE ROD, STEEL, DIA 3/4 X (61 1/8	28
CW30013-112	CUT PIECE, CREPE, 1/4 X 6 X 8	29
CWCP1152-101	CUT PIECE, ABS BLACK, 1/8 X 23 5/16	30
CWCLGG099-000	ASSY, CABLE, 320	31
CWPD1137J-101	PAD,12X18,4HOLES,W/BP,BLACK,W/SLIP	32.01
CWPD1137J-103	PAD,12X18,4HOLES,W/BP,DVE GRY,W/SLI	32.03
CWPD1137J-104	PAD,12X18,4HOLES,W/BP,CROCUS,W/SLIP	32.04
CWPD1137J-105	PAD,12X18,4HOLES,W/BP,GROTTO,W/SLIP	32.05
CWPD1137J-106	PAD,12X18,4HOLES,W/BP,GRAPHITE,W/SL	32.06
CWPD1137J-107	PAD,12X18,4HOLES,W/BP,RED,W/SLIP	32.07
CWPD1137J-108	PAD,12X18,4HOLES,W/BP,CHN GRN,W/SLI	32.08
CWPD1137J-109	PAD,12X18,4HOLES,W/BP,TURQSE,W/SLIP	32.09
CWPD1137J-110	PAD,12X18,4HOLES,W/BP,RASP,W/SLIP	32.1
CWPD1137J-111	PAD,12X18,4HOLES,W/BP,PLUM,W/SLIP	32.11
CWPD1137J-112	PAD,12X18,4HOLES,W/BP,REGIMENT,W/SL	32.12
CWPD1137J-113	PAD,12X18,4HOLES,W/BP,SPC BLUE,W/SL	32.13
CWPD1137J-115	PAD,12X18,4HOLES,W/BP,BLK LTHR,W/SL	32.15
CWPD1137J-116	PAD,12X18,4HOLES,W/BP,NVBL LTH,W/SL	32.16
CWPD1137J-117	PAD,12X18,4HOLES,W/BP,PUTTY,W/SLIP	32.17
CWPD1137J-119	PAD,12X18,4HOLES,W/BP,YEW GRN,W/SLI	32.19
CWPD1137J-120	PAD,12X18,4HOLES,W/BP,DSTY JD,W/SLI	32.2
CWPD1137J-121	PAD,12X18,4HOLES,W/BP,TER COT,W/SLI	32.21
CWPD1137J-122	PAD,12X18,4HOLES,W/BP,PAPRIKA.W/SLI	32.22
CWPD1137J-123	PAD,12X18,4HOLES,W/BP,ASH LTHR,W/SL	32.23
CWPD1137J-124	PAD,12X18,4HOLES,W/BP,CERULEAN LTHR	32.24
CWPD1137J-125	PAD,12X18,4HOLES,W/BP,CHARCOAL LTHR	32.25
CWPD1137J-126	PAD,12X18,4HOLES,W/BP,HUNTER LTHR,W	32.26
CWPD1137J-127	PAD,12X18,4HOLES,W/BP,MOSS LTHR,W/S	32.27
CWPD1137J-129	PAD,12X18,4HOLES,W/BP,TOMATO LTHR,W	32.29
CWPF1016-731	BAR,,FLAT CR/HR, 3/8 X 2 X 8 1/4, 3	33
CWSA10781-211	ASSY,FLANGED "C" FRAME,W/O BRKTS, S	34.01
CWSA10781-221	ASSY,FLANGED "C" FRAME,W/O BRKTS, B	34.02
CWSA10781-231	ASSY,FLANGED "C" FRAME,W/O BRKTS, R	34.03
CWSA10781-241	ASSY,FLANGED "C" FRAME,W/O BRKTS, P	34.04
CWSA10781-251	ASSY,FLANGED "C" FRAME,W/O BRKTS, S	34.05
CWSA10781-261	ASSY,FLANGED "C" FRAME,W/O BRKTS, B	34.06
CWSA10781-271	ASSY,FLANGED "C" FRAME,W/O BRKTS, C	34.07
CWSA10781-281	ASSY,FLANGED "C" FRAME,W/O BRKTS, C	34.08
CWSA10781-291	ASSY,FLANGED "C" FRAME,W/O BRKTS, S	34.09
CWSA10781-311	ASSY,FLANGED "C" FRAME,W/O BRKTS	34.11
CWSA10781-321	ASSY,FLANGED "C" FRAME,W/O BRKTS, T	34.12
CWSA10781-331	ASSY,FLANGED "C" FRAME,W/O BRKTS, W	34.13
CWSA10781-341	ASSY,FLANGED "C" FRAME,W/O BRKTS, B	34.14
CWSA10781-351	ASSY,FLANGED "C" FRAME,W/O BRKTS, L	34.15
CWSA10781-361	ASSY,FLANGED "C" FRAME,W/O BRKTS, S	34.16
CWSA1079-211	ASSY,PIVOTING,HANDLE,SKY WHITE	35.01
CWSA1079-221	ASSY,PIVOTING,HANDLE,BLACK	35.02
CWSA1079-231	ASSY,PIVOTING,HANDLE,RED	35.03

CWSA1079-241	ASSY,PIVOTING,HANDLE,PLAT SPKLE	35.04
CWSA1079-251	ASSY,PIVOTING,HANDLE,SILVER	35.05
CWSA1079-261	ASSY,PIVOTING,HANDLE,BLUE	35.06
CWSA1079-271	ASSY,PIVOTING,HANDLE,CHARCOAL	35.07
CWSA1079-281	ASSY,PIVOTING,HANDLE,CATH GRY	35.08
CWSA1079-291	ASSY,PIVOTING,HANDLE,SILVER VIEN	35.09
CWSA1079-311	ASSY,PIVOTING,HANDLE,STONE HG	35.11
CWSA1079-321	ASSY,PIVOTING,HANDLE,TITANIUM HG	35.12
CWSA1079-331	ASSY,PIVOTING,HANDLE,WHITE GLOSS	35.13
CWSA1079-351	ASSY,PIVOTING,HANDLE,LIGHT BRONZE	35.15
CWSA1079-361	ASSY,PIVOTING,HANDLE,SAPPHIRE BLUE	35.16
CW30104-200	WEIGHT STACK,200 LBS,LTP-40,16 X 10	36
CWHCYN050-100	SCREW,HEX HEAD,BLK XYLAN,1/2-13 X 1	37
CWKADLN050-081	NUT, ACORN, 1/2-13	38
CW12537-109	NUT,INSERT,THIN-NUT,LARGE FLANGE	39
CWTAYN031-150	SCREW, BUTTON HEAD, BLK XYLAN,5/16	40
CWCAYN025-100	SCREW, SOCKET HEAD, BLK XYLAN, 1/4	41
CWBFNN050-250	STUD, 1/2-13 X 2 1/2	42
CWWBKN031-007	WASHER, FLAT, TYPE A, SAE, 5/16 ID	43
CWWBKN050-010	WASHER, FLAT, TYPE A, SAE, 1/2 ID X	44
CWWALYN031-008	WASHER, SPLIT, 5/16 ID, BL	45
CWWALYN050-013	WASHER, SPLIT, 1/2 ID, BLK XYLAN	46
CWCAYN044-100	SCREW, SOCKET HEAD, BLK XYLAN, 7/1	47
CW30010-101	LABEL,WARNING STRENGTH	48
CW30034-101	LABEL,INSTRUCTION,320 CHIN	49
CW30035-101	LABEL,INSTRUCTION,320 DIP	50
CW31756-101	LABEL, PRECOR USA ICARIAN LINE	51
CW11095-105	CAP, PLASTIC, HEYCO, DOME PLUG, 1.2	57
CWAC242-901	HANDLE END CAP W/SET SCREWS, DIA 1	58
CWPF1472-311	SHAFT COLLAR,SQR BLOCK,1-1/2 X 1 X	59
CWPF1472-211	SHAFT COLLAR,SQR BLOCK,1-1/2 X 1 X	59.01
CWPF1472-221	SHAFT COLLAR, SQR BLOCK, 1-1/2 X 1	59.02
CWPF1472-231	SHAFT COLLAR, SQR BLOCK, 1-1/2 X 1	59.03
CWPF1472-241	SHAFT COLLAR, SQR BLOCK, 1-1/2 X 1	59.04
CWPF1472-251	SHAFT COLLAR, SQR BLOCK, 1-1/2 X 1	59.05
CWPF1472-261	SHAFT COLLAR, SQR BLOCK, 1-1/2 X 1	59.06
CWPF1472-271	SHAFT COLLAR, SQR BLOCK, 1-1/2 X 1	59.07
CWPF1472-281	SHAFT COLLAR, SQR BLOCK, 1-1/2 X 1	59.08
CWPF1472-291	SHAFT COLLAR, SQR BLOCK, 1-1/2 X 1	59.09
CWPF1472-321	SHAFT COLLAR, SQR BLOCK, 1-1/2 X 1	59.12
CWPF1472-331	SHAFT COLLAR, SQR BLOCK, 1-1/2 X 1	59.13
CWPF1472-341	SHAFT COLLAR, SQR BLOCK, 1-1/2 X 1	59.14
CWPF1472-351	SHAFT COLLAR, SQR BLOCK, 1-1/2 X 1	59.15
CWPF1472-361	SHAFT COLLAR, SQR BLOCK, 1-1/2 X 1	59.16
CW10510-721	ASSY, PLATE, WEIGHT, 10 LBS, WRKL B	201
CWAC1133-101	BUSHING, WEIGHT PLATE, LDPE PLASTIC	203
CW30172-751	ASSY, 4.00 IN WEIGHT STACK PIN AND	227
CWLDNN038-200	PIN, ROLL, DIA 3/8 X 2	250
CW10580-721	ASSY,PLATE, WEIGHT, LARGE TOP (LTP	286
CW30132-711	SELECTOR STEM, 20 PLATE,0 .875 DIA,	308
CW30011-101	LABEL,WARNING WEIGHT STACK	311

CW12401-102	LABEL, WEIGHT PLATE, 10 LBS/ 4.6 KG	315
CW12401-106	LABEL, WEIGHT PLATE, 20 LBS/ 8 KG	319
CW12401-110	LABEL, WEIGHT PLATE, 30 LBS/ 13.6 K	323
CW12401-114	LABEL, WEIGHT PLATE, 40 LBS/ 18.2 K	327
CW12401-118	LABEL, WEIGHT PLATE, 50 LBS/ 22.7 K	331
CW12401-120	LABEL, WEIGHT PLATE, 60 LBS/ 27.3 K	333
CW12401-122	LABEL, WEIGHT PLATE, 70 LBS/ 31.8 K	335
CW12401-124	LABEL, WEIGHT PLATE, 80 LBS/ 36.4 K	337
CW12401-126	LABEL, WEIGHT PLATE, 90 LBS/ 40.9 K	339
CW12401-128	LABEL, WEIGHT PLATE, 100 LBS/ 45.5	341
CW12401-129	LABEL, WEIGHT PLATE, 110 LBS/ 50 KG	342
CW12401-130	LABEL, WEIGHT PLATE, 120 LBS/ 54.6	343
CW12401-131	LABEL, WEIGHT PLATE, 130 LBS/ 59.1	344
CW12401-132	LABEL, WEIGHT PLATE, 140 LBS/ 63.6	345
CW12401-133	LABEL, WEIGHT PLATE, 150 LBS/ 68.2	346
CW12401-134	LABEL, WEIGHT PLATE, 160 LBS/ 72.7	347
CWAC1177-101	FLOOR PROTECTOR, RUBBER, 4.563 X 4.	501
CWAC1180-101	FLOOR PROTECTOR, RUBBER, 2.563 X 4.	502